



DISCONTINUED

Not recommended for new designs.

ANALOG MODULES, INC.

MODEL 611A

FAST PEAK PULSE STRETCHER

FAST PEAK PULSE STRETCHER

- 2 STAGE PEAK SENSE
FAST INDEPENDENT RESETS
HIGH INPUT IMPEDANCE
INPUT GATING



DESCRIPTION:

The 611A Series Pulse Stretchers output a DC level equal to the peak value of a single narrow pulse down to 20ns FWHM. Fast independent resets facilitate processing of complex multiple events. DC outputs allow for post-processing at slower speeds.

SPECIFICATIONS:

Table with specifications for Input, Output, Reset(s), Accuracy, Power, Connections, Size, and Weight.



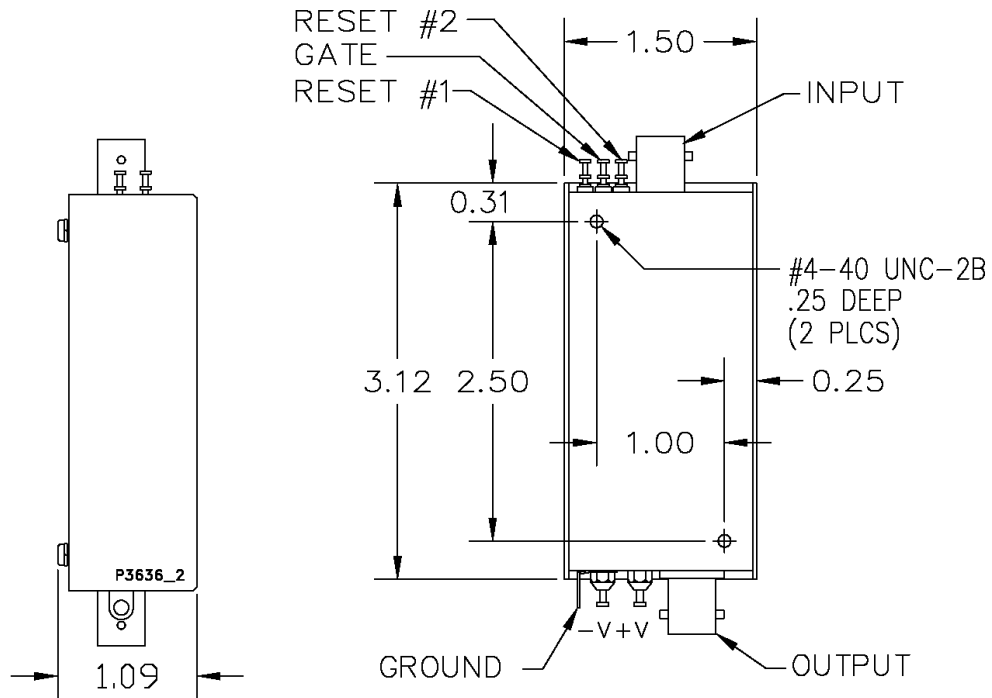
Specifications subject to change without notice.

APPLICATIONS:

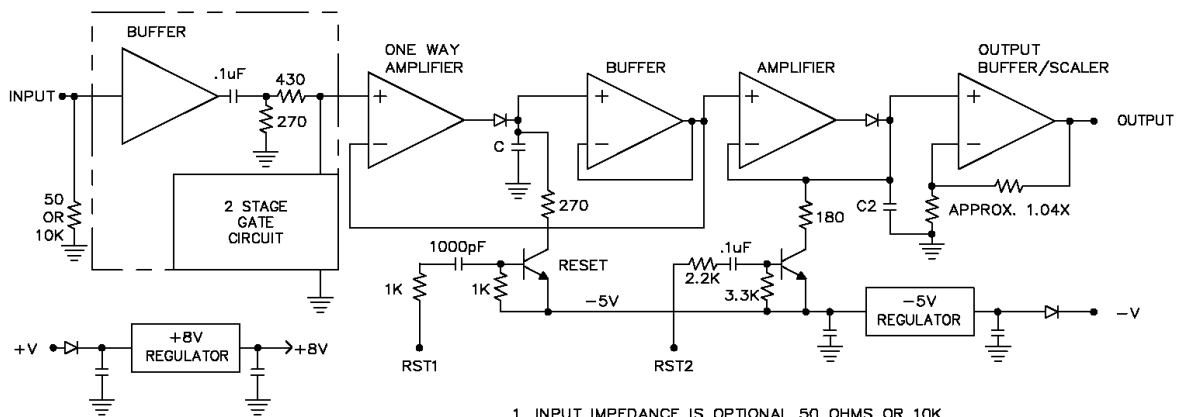
Laser Pulse Capture, Laser Peak Power Monitor, Quad Detector Pulse Processing, Ultrasound Pulse Stretcher, Electronic Transient Capture

		MODEL NUMBER	
		2 Stage < 0.1V/s Droop	
MINIMUM INPUT PULSEWIDTH	20ns FWHM	611A-2-20	
	50ns FWHM	611A-2-50	

Typical Part Number: 611A-2-20-10k = No. of Stages: 2
 Input Pulsewidth: $\geq 20\text{ns FWHM}$
 Gain: 1.04 typical
 Droop: $\leq 0.1\text{V/s}$
 Input Impedance: $10\text{k}\Omega$



DIMENSIONS ARE IN INCHES



1. INPUT IMPEDANCE IS OPTIONAL 50 OHMS OR 10K

611A EQUIVALENT SIMPLIFIED CIRCUIT

P3636_2.DWG